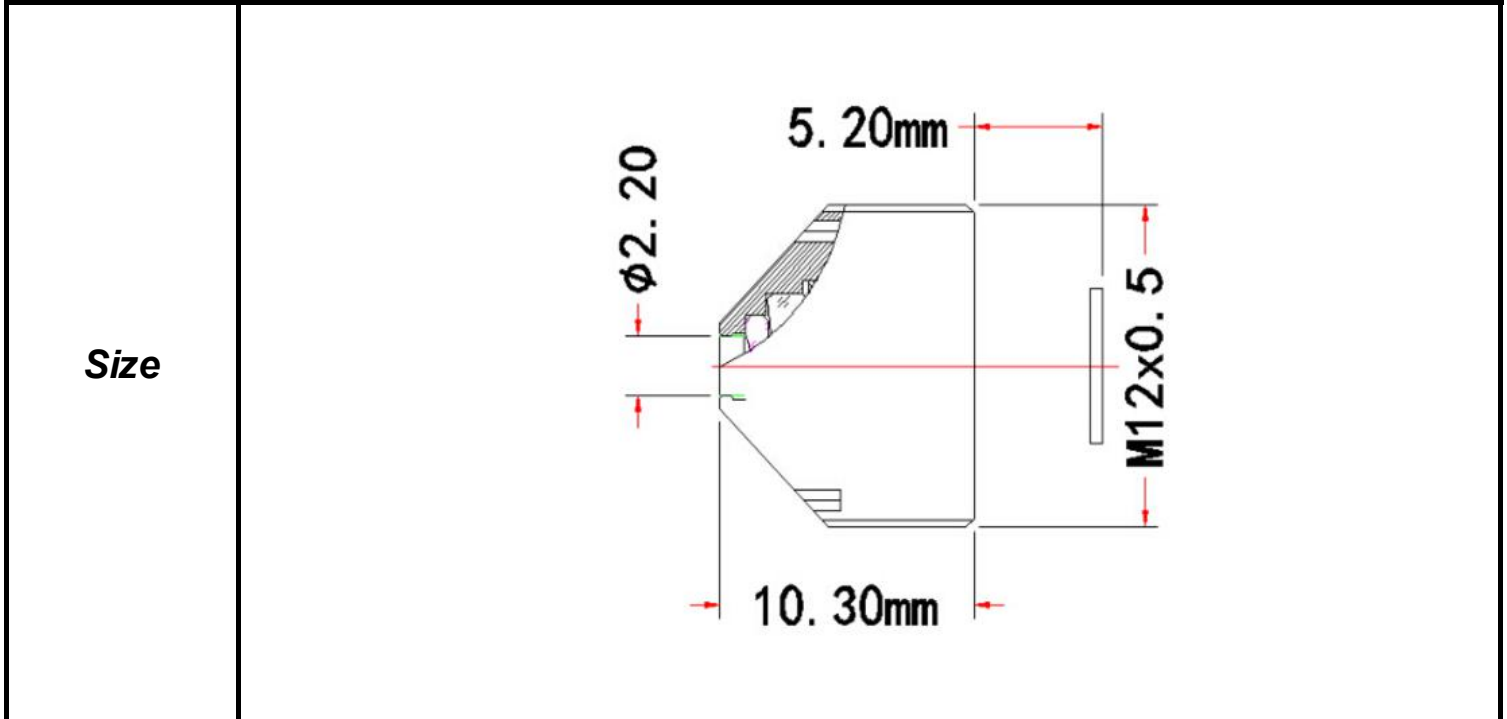


SPECIFICATIONS

Parameter of Lens		Photo (Just for Reference)
Name	2Mega pixel	
Model No	SSP0816MP-2M12	
Focal-Length(mm)	8	
Aperture(D/f)	F1.6	
Mount	M12	
Format(inch)	1/2.5"	
Field of View(H-fov)	54.3°	
Mega pixel	2	
Weight(g)	2.7	
M.O.D(m)	0.2	
Operation	Focus	-
	Zoom	-
	Iris	-



Tolerance	Dimension	0-10	10-30	30-100	Unit
	Tolerance		± 0.10	± 0.20	± 0.30