
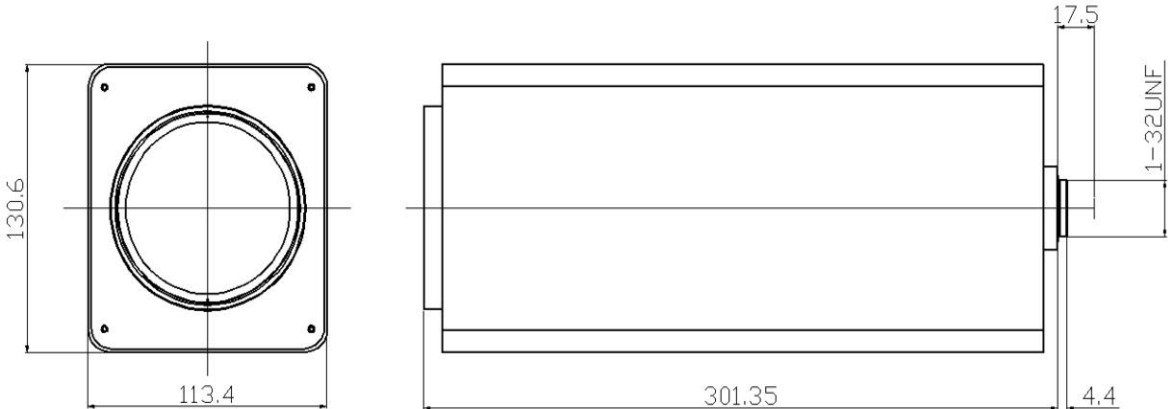


SPECIFICATIONS

Parameter of Lens		Photo (Just for Reference)	
Name	2Mega pixel/IR		
Model No	SL15500MIRMP-2P		
Focal-Length(mm)	15 ~ 500		
Aperture(D/f')	F2.8		
Mount	C		
Format(inch)	1/1.8"		
Field of View(H-fov)	34.6° ~ 1.06°		
Mega pixel	2		
Weight(g)	3400		
M.O.D(m)	3		
Operation	Focus		Motorized
	Zoom		Motorized
	Iris		Motorized

Size		
	<p>Front View Dimensions: 130.6 (height), 113.4 (width)</p> <p>Side View Dimensions: 301.35 (length), 4.4 (bottom thickness), 17.5 (top thickness), 1-32UNF (thread)</p>	

Tolerance	Dimension	0-10	10-30	30-100	Unit
	Tolerance	±0.10	±0.20	±0.30	mm