
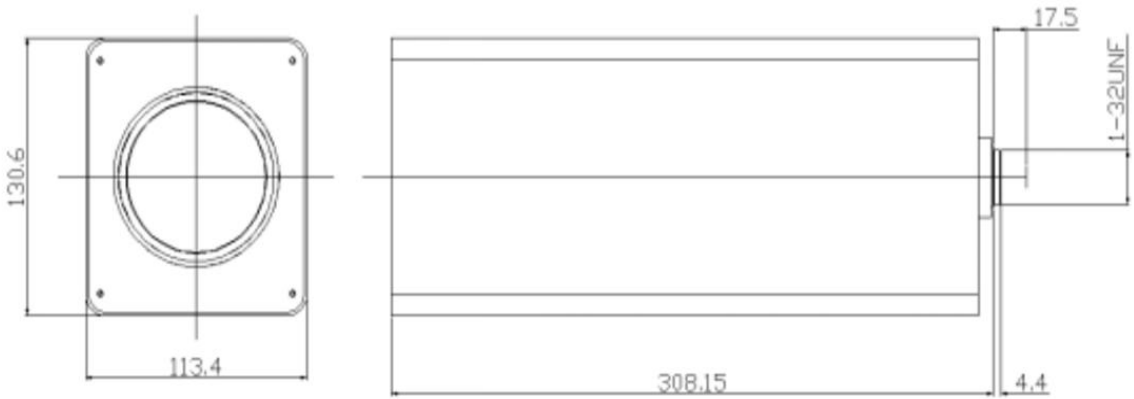


SPECIFICATIONS

| Parameter of Lens | | Photo (Just for Reference) |
|----------------------|----------------|--|
| Name | 2Mega pixel/IR |  |
| Model No | SL15375MIRMP-2 | |
| Focal-Length(mm) | 15 ~ 375 | |
| Aperture(D/f') | F2.8 | |
| Mount | C | |
| Format(inch) | 1/1.8" | |
| Field of View(H-fov) | 31.2° ~ 1.28° | |
| Mega pixel | 2 | |
| Weight(g) | 3300 | |
| M.O.D(m) | 3 | |
| Operation | Focus | |
| | Zoom | Motorized |
| | Iris | Motorized |

| | | |
|------|--|--|
| Size |  | |
|------|--|--|

| | | | | | |
|-----------|-----------|-------|-------|--------|------|
| Tolerance | Dimension | 0-10 | 10-30 | 30-100 | Unit |
| | Tolerance | ±0.10 | ±0.20 | ±0.30 | mm |