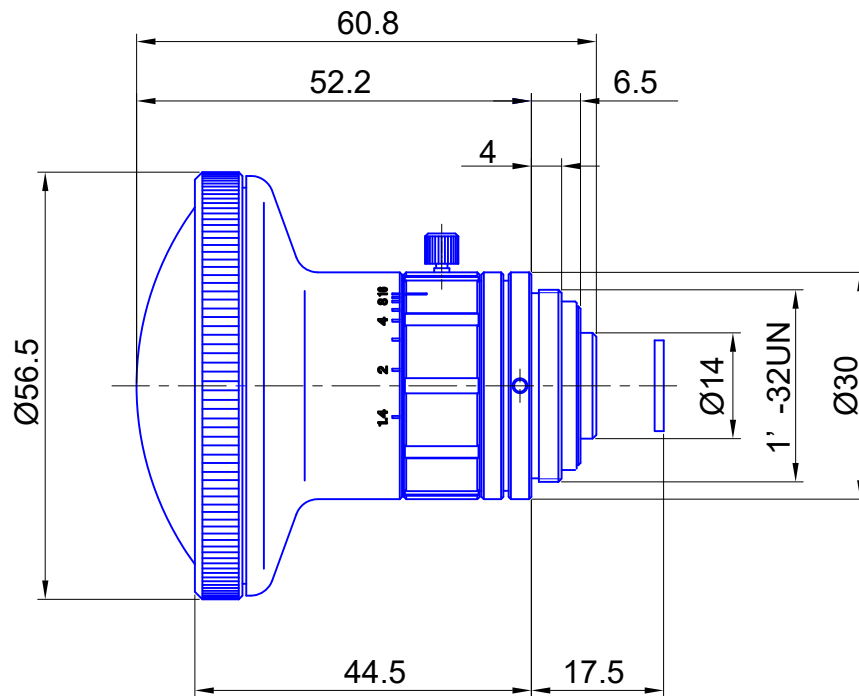


Fish Eye Lenses

Item No. GM5HR31814MCN

ITEM NO.	GM5HR31814MCN	
Focal Length	1.8	(mm)
Iris Range	F1.4 - 16	
Angle of View (H x V x D)	185° (at Ø5.7mm)	
MOD	0.15	(m)
Filter Thread	No.	
Dimension (D x L)	Ø56.5 x 60.8	(mm)
Weight	195	(g)

GOYO OPTICAL Inc.,

3-8-31 HAMASAKI, ASAKA, SAITAMA 351-0033, JAPAN,
 TEL:+81-48-474-2235 FAX:+81-48-474-7373
<http://www.gyooptical.com> E-MAIL:info@gyooptical.com