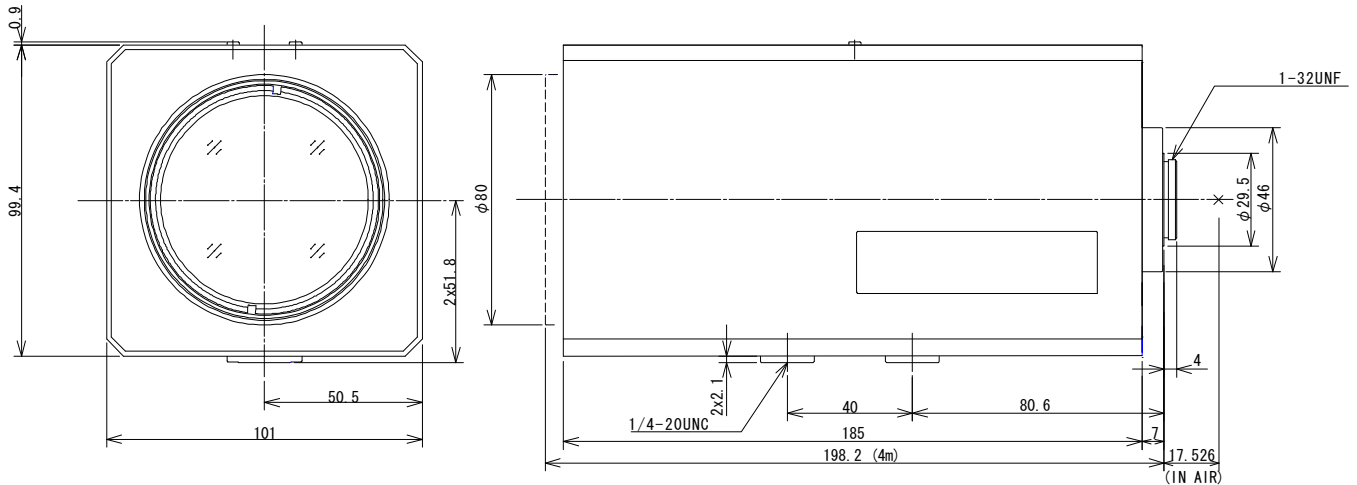


**24X 10mm-240mm F1.8**  
**for 1/1.8 type 3 Megapixel Cameras, Motorized Zoom**  
**C-Mount**

Model No.	E24Z1018MP-MP		Effective	Front	$\phi$ 66mm	
Focal Length	10mm - 240mm		Lens Aperture	Rear	$\phi$ 13mm	
Max. Aperture Ratio	1:1.8		Back Focal Length		14.1mm	
Max. Image Circle	$\phi$ 8.9mm		Flange Back Length		17.526mm	
Operation Range	Iris	F1.8 - F22C	Mount		C-Mount	
	Focus	4m - Inf.	Filter Size		M77 P=1mm	
	Zoom	10mm - 240mm	Tripod Screw		1/4 -20UNC	
Control	Iris	Motorized	Dimensions		W101mm x H102.4mm x D198.2mm	
	Focus	Motorized	Weight		2120g	
	Zoom	Motorized				
Angle of View	D	1/1.8 type	1/2 type (4:3)	43.7° - 1.9° 35.2° - 1.6° 26.5° - 1.2°	1/3 type (4:3)	33.0° - 1.5°
	H	(4:3)				26.5° - 1.2°
	V					20.0° - 0.9°
	Iris		Focus		Zoom	
Supply Voltage	DC6V		DC6V	DC6V		
Current	90mA or less		90mA or less	90mA or less		
Response Time	Approx. 4.5 sec.		Approx. 6.5 sec.	Approx. 6.5 sec.		
Preset Potentiometer	—		5k $\Omega$ VR	5k $\Omega$ VR		
Operating Temperature	-10°C - +50°C					

## Dimensions



## Wiring Diagram

### PRESET POTENTIOMETER

