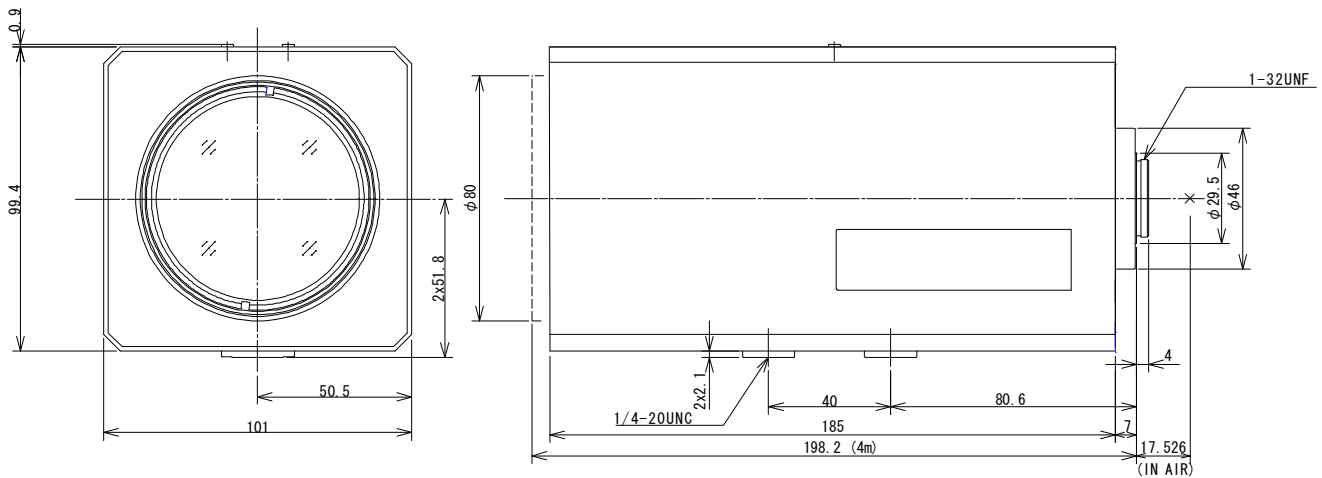


24X 10mm-240mm F1.8
for 1/1.8 type 3 Megapixel Cameras, Motorized Zoom
C-Mount

Model No.		E24Z1018AMS-MP		Effective	Front	ϕ 66mm	
Focal Length		10mm - 240mm		Lens Aperture	Rear	ϕ 13mm	
Max. Aperture Ratio		1:1.8		Back Focal Length		14.1mm	
Max. Image Circle		ϕ 8.9mm		Flange Back Length		17.526mm	
Operation Range	Iris	F1.8 - F500C		Mount		C-Mount	
	Focus	4m - Inf.		Filter Size		M77 P=1mm	
	Zoom	10mm - 240mm		Tripod Screw		1/4 -20UNC	
Control	Iris	Video Auto Iris		Dimensions		W101mm x H102.4mm x D198.2mm	
	Focus	Motorized		Weight		2020g	
	Zoom	Motorized					
Angle of View	D	1/1.8 type (4:3)	48.5° - 2.2°	1/2 type (4:3)	43.7° - 1.9°	1/3 type (4:3)	33.0° - 1.5°
	H		39.0° - 1.7°		35.2° - 1.6°		26.5° - 1.2°
	V	29.5° - 1.3°	26.5° - 1.2°	20.0° - 0.9°			
		Auto Iris		Focus		Zoom	
Supply Voltage		DC8.5V - DC16V		DC6V		DC6V	
Current		35mA or less		90mA or less		90mA or less	
Response Time		Approx. 5 sec.		Approx. 6.5 sec.		Approx. 6.5 sec.	
Operating Temperature		-10°C - +50°C					

Dimensions



Wiring Diagram

