
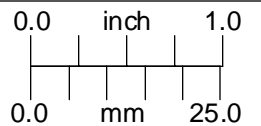


OUTLINE

UNLESS OTHERWISE SPECIFIED DIMENSIONS ARE IN INCHES AND INCLUDE CHEMICALLY APPLIED OR PLATED FINISHES		THE CONTENTS OF THIS DOCUMENT ARE PROPRIETARY TO NAVITAR. ITS USE IS AUTHORIZED ONLY FOR RESPONDING TO REQUEST FOR QUOTATION OR PERFORMANCE OF WORK FOR NAVITAR		 ROCHESTER, NEW YORK	
SCALE:	1:1			ZM 6000-II, 12mm FF, LONG	
WEIGHT:	.56LBM			SIZE	B
DR:	R. PODLENA	DO NOT SCALE DRAWING		1-60135	
CH:				SHEET 2 OF 2	
PROJECT #:					
DATE DR:	5/28/2003				